

WASHTECH®

Guaranteed by the
5-2-1
promise

5 years warranty on stainless cabinet (parts only)
2 years warranty on wash pump (parts and labour)
1 year parts and labour warranty

M2

HIGH PERFORMANCE PASSTHROUGH DISHWASHER

M2 High Performance Dishwasher

The Washtech M2 washes up to 1000 large plates per hour - ideal for most restaurants.

Operator may select 1, 2 or 3 minute cycles to rapidly wash a wide range of soil levels. Powerful rinse booster elements ensure fast recovery between cycles for genuine 55 cycle per hour capacity.

The M2 washes large plates and serving dishes with huge 430mm door clearance height and 500mm racks. Big 750W wash pump recirculates 350 litres per minute for excellent wash performance.

Wash tank width of only 600mm makes the M2 an ideal replacement machine for a wide range of brands and models. 700 bench recommended, 650 sufficient in-line.

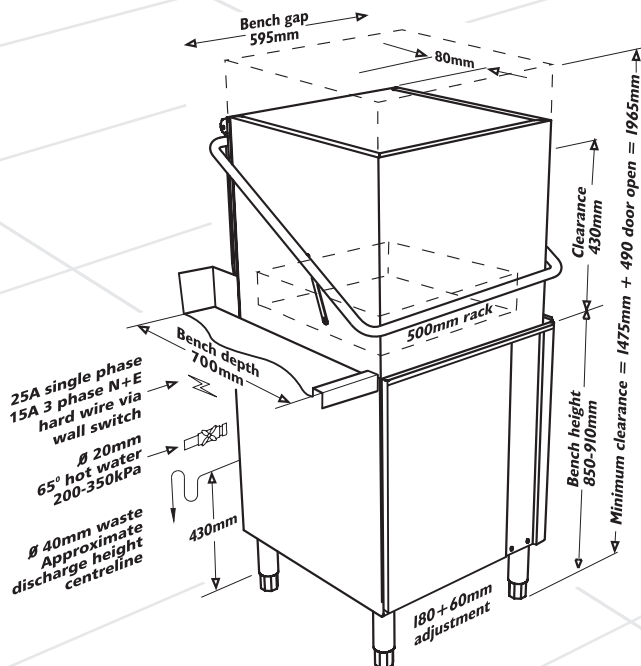
Low water consumption of less than 3 litres on all cycles minimises water, waste, power and chemical costs for highly efficient operation.

Effortless operation with light, well balanced door and wrap around handle - auto-starts on door closure.

FASTCLEAN features include: fully enclosed base, one piece door, rounded L shape wash tank, uncluttered internal design, easy-tilt rack slide, double filtration, scrap trays, upper and lower stainless steel wash and rinse arms with removable end plugs, anti-drip door to channel water away from opening, and 220mm legs for excellent access beneath machine.

Standard electrical requirement is 15 amps per phase, three phase, neutral and earth, or 25 amps single phase which may be reduced to 15 amps if required. Qualified installer can choose any of the above options.

Supplied with two dishracks, one cuprack and two cutlery containers.



Installation drawing and detail overleaf.

Over 25 years Washtech has earned the position of Australasia's leading wash equipment manufacturer by providing robust, reliable machines designed for ease of service and years of effective, efficient operation.



ISO 9001 certified and audited since 1993 - our equipment complies with all local hygiene, electrical and plumbing regulations including WATERMARK.



Washtech products are supported nationwide by the MOFFAT Service Network to ensure long term access to parts and after sales support and service including preventative maintenance programmes.



In line with policy to continually develop and improve it's products Moffat reserves the right to change specifications and design without notice.

MOFFAT®
www.moffat.com.au
24 HOUR SERVICE
1800 622 216
REPLACEMENT PARTS
1800 337 963

Australia Moffat Pty Limited

Victoria/Tasmania
740 Springvale Road
Mulgrave, Victoria 3170
Telephone 03 9518 3888
Facsimile 03 9518 3833
Email vsales@moffat.com.au
www.moffat.com.au

New South Wales
Telephone 02 8833 4111
Email nswsales@moffat.com.au

South Australia
Telephone 03 9518 3888
Email vsales@moffat.com.au

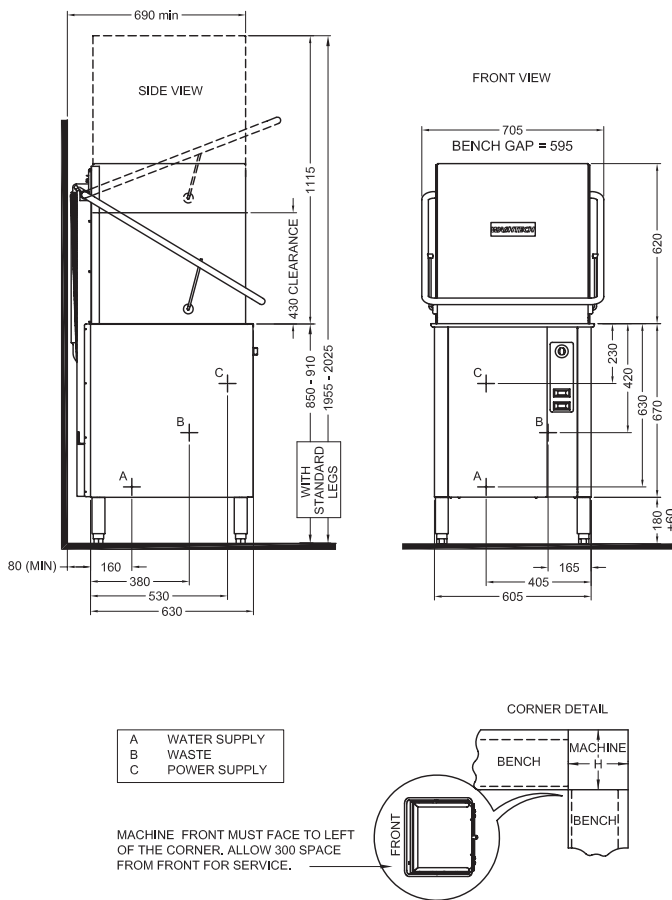
Queensland
Telephone 07 3630 8600
Email qldsales@moffat.com.au

Western Australia
Telephone 08 9202 6820
Email bgarcia@moffat.com.au

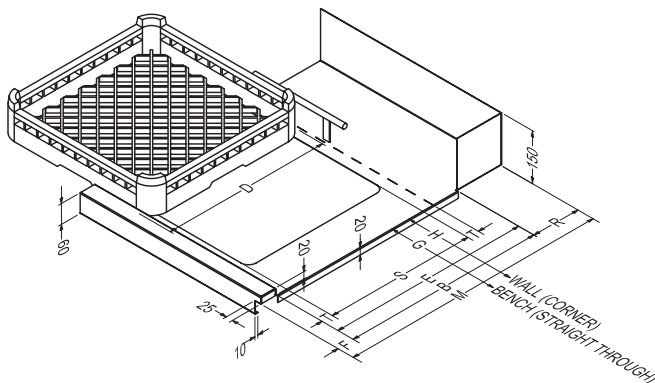
Effective November 2007

WASHTECH® M2

M2 High Performance Dishwasher



KEY		M2
M	BENCH DEPTH	700
R	RETURN	125
G	BENCH GAP	595
B	BENCH OPENING	535
F	SPLASH BEAD	40
D	RACK SIZE	500
E	RACK PATH	520
S	SINK WIDTH	450
T	CLEARANCE	35
H	DISTANCE TO WALL FOR CORNER INSTALLATION	720



Installer must be suitably qualified and ensure compliance with all local codes and standards including AS/NZS 3500.1. Failure to comply even partially with installation instructions may void the warranty. Install machine on sound waterproof self-draining floor, with adjacent surfaces sealed against water and/or light steam. Allow room for detergent to one side of machine or in adjacent cupboard. 20 litre container requires about 450H x 250W x 350D, but smaller containers are available from many suppliers.

Water Supply

Hot water temperature	65°C ± 5°C
Connection	20 mm (3/4" BSP Male)
Pressure	200-350 kPa = 30-50 psi
Flow rate minimum	20 litres per minute
Consumption per cycle	3 litres approximately
Backflow prevention	Dual Check Valve supplied

Pressure limiter may be required. Don't use small diameter plastic supply lines. FLUSH supply line before connection. Connect supplied DCV to water supply. Poor quality supply or excessive water hardness may affect performance or damage machine - filtration and/or softening is recommended. Optional rinse booster pump available for very low pressure supply.

Waste

40mm gravity drain - refer to point B in the installation diagram - run waste directly behind the machine or through hole in base.

Power

Electrical supply required is single phase 25A 240V 50Hz, permanently wired via wall switch mounted adjacent to the machine (or 15A single phase with reduced rinse heating - disconnect Blue 1.5 wire from T2 terminal of the contactor for this requirement). Machine may also be installed on three phase power supply with 5 wires (3 Phase, Neutral and Earth), 15A per phase, 415V 50 Hz - remove Red 1.5 wire links from the power terminal and connect three phase power supply according to the power terminal label.

Benchwork

Refer to the relevant drawings. All dimensions in mm. Recommended bench depth is 700, height 900. For in-line installations a minimum bench depth of 650 is possible, with splash bead of 25. For corner installations front of machine must face to the left of the corner, allow 300 clearance from front to sink or legs for service access. We recommend sink smaller than rack, with guide to prevent rack falling into sink. Align sink with dishrack path as shown. In corner installations high or angled bench return off wall may clash with door handle.