

Technical data sheet for

GLV

High Performance Undercounter Dishwasher - 450 Rack

W 535mm x D 560mm x H 840mm



The GLV is a fully featured compact machine with powerful upper and lower wash systems, now supplied with 450mm all-plastic racks.

Standard Features

- Now with 450mm all plastic racks
- Upper and lower stainless steel arms with removable caps for cleaning
- Flush front design
- Insulated door
- Magnetic door switch
- Ergonomically positioned OneTouch controls
- Robust stainless steel construction
- Electromechanical controls
- Fitted with rear wheels to assist with removal and cleaning (UD & GLV)
- Stainless steel water supply hose provided
- No commissioning required
- Watermark certified
- Low water consumption - 2.6 litres per cycle water consumption
- 600 plates per hour capacity
- Recirculates wash water at nominal 220 litres per minute through upper and lower wash arms
- Unique OneTouch 1, 2 or 3 minute cycles
- 3kW rinse and 2.5kW wash heating
- Multiple filtration to ensure effective separation of waste to keep wash water clean
- 320mm wash chamber height clearance
- Drain pump with flexible connection standard
- Supplied with 450mm all-plastic racks
- Fits 600mm bench depth

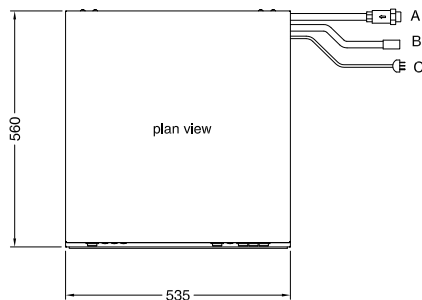
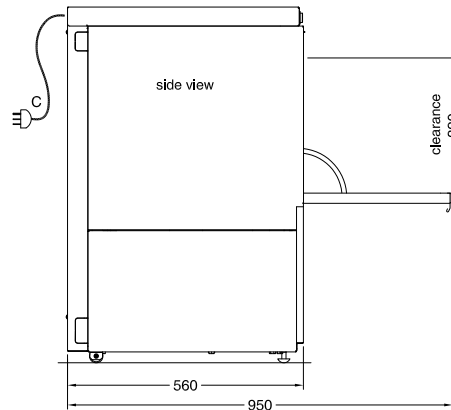
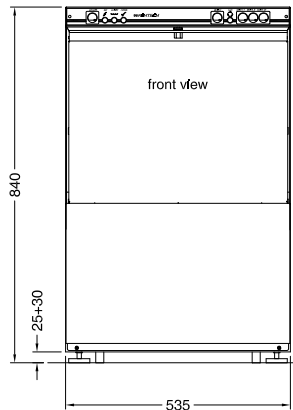
Accessories

- 1 x 450mm Dish Rack
- 1 x 450mm Cup Rack
- 1 x Cutlery Container



WASHTECH[®]
PROFESSIONAL WASH SYSTEMS

The unit shall be a Washtech undercounter dishwasher with Watermark certification. The dishwasher shall have OneTouch multi-cycle upper mounted controls with one, two and three minute complete operating cycles. The unit shall be supplied with 450mm all-plastic cup and dishracks and the wash compartment shall be 320mm tall. The unit shall be fitted with rotating upper and lower all stainless steel separate wash and rinse arms, all with removable end plugs for cleaning, and hot water consumption shall be 2.6 litres per operating cycle. The unit shall require 15 amp single phase electrical supply and be supplied in 100% recyclable shipping packaging.



ensure dual check valve is located at water supply entry point.

- A Hot water supply
- B Waste
- C Power supply

A	Hot Water	temperature connection pressure flow quality	65C 3/4" hose supplied 200-350 kpa 20 litres per min potable & soft
B	Waste	connection	hose supplied
C	Electrical	single phase 240V 50Hz	15 amp

Refer operator manual for complete installation instructions.

Dimensions

Width	535mm
Depth	550mm
Height	860mm
Weight	66kg

Packed Dimensions

Width	645mm
Depth	610mm
Height	965mm
Weight	83kg
Cubicmetres	0.40m ³



Australia
www.moffat.com.au

New Zealand
www.moffat.co.nz

Australia
Moffat Pty Limited

Victoria/Tasmania
740 Springvale Road
Mulgrave, Victoria 3170
Telephone 03-9518 3888
Facsimile 03-9518 3833
vsales@moffat.com.au
www.moffat.com.au

New South Wales
Telephone 02-8833 4111
nswsales@moffat.com.au

South Australia
Telephone 03-9518 3888
vsales@moffat.com.au

Queensland
Telephone 07-3630 8600
qldsales@moffat.com.au

Western Australia
Telephone 08-9202 6820
bgarcia@moffat.com.au

New Zealand
Moffat Limited
Christchurch
16 Osborne Street
Christchurch 8011
Telephone +64 3-389 1007
Facsimile +64 3-389 1276
Auckland
Telephone +64 9-574 3150
export@moffat.co.nz
www.moffat.co.nz



© Copyright Moffat Ltd
Moffat /1175/8.10

