

GA

Series 5

UNDERCOUNTER GLASSWASHER



Operator Manual



WARNING

Before installation and commissioning, you must read the safety instructions and warnings carefully and all the warning labels attached to the equipment.



IMPORTANT

Failure to comply (even partially) with the instructions given in this manual will invalidate the product warranty and relieves the manufacturer of any responsibility.



IMPORTANT

The alteration of machine operation, design or the replacement of parts not approved by the manufacturer may void warranties and approvals.

We have checked that the contents of this document correspond to the model described. There may be discrepancies nevertheless, and no guarantee can be given that they are completely identical. The information contained in this document is reviewed regularly and any necessary changes will be included in the next edition. We welcome suggestions for improvement.

Document subject to change without prior notice.

Information supplied in this manual is copyright. No part of this work may be reproduced or copied in any form or by any means, electronic or mechanical without the express permission of the author / publisher.



Distributed In
Australia by

MOFFAT[®]

740 Springvale Road, Mulgrave 3170, Victoria, Tel 03 9518 3888 Fax 03 9518 3818

Service 1 800 622 216
Parts 1 800 337 963

Safety Instructions



WARNING

Equipment contains dangerous voltages and can be hazardous if installed or operated incorrectly. Non-compliance with **Warnings** or failure to follow the instructions contained in this manual can result in loss of life, severe personal injury or serious damage to property.

Installation

- ◆ Use qualified, skilled personnel
- ◆ Follow installation instructions
- ◆ Connect to correct voltage and supply current
- ◆ Provide fully accessible Electrical Isolation Switch & water supply valves

Training and Supervision

- ◆ Read and Understand the Operating instructions and train all staff
- ◆ This appliance must not be operated by children or infirm persons
- ◆ Machine panels must only be removed by suitably qualified and trained personnel – internal hazards include live electrics and very hot surfaces
- ◆ This appliance is not intended for use as a stepladder

Hot Surfaces

- ◆ Some surfaces may be hot or very hot

Chemicals

- ◆ Commercial dishwashing detergents are hazardous – handle with care
- ◆ Read and follow the safety information found on the labels of detergent containers and Material Safety Data Sheets
- ◆ Use protective eyewear and clothing if decanting containers

Hot Water

- ◆ Do not put hands in wash water which may be over 60°C and contain hazardous caustic detergent
- ◆ Rinse water can be over 90°C
- ◆ Door safety switches are designed for emergency use only

Cleaning

- ◆ Do not hose down the machine or splash water over the exterior
- ◆ Watch for broken glass etc when cleaning the inside of the machine

Power Cord Replacement

- ◆ If the supply cord is damaged, it must be replaced by the manufacturer or its service agent or a similar qualified person in order to avoid a hazard
-

Installation



WARNING

Installer must be suitably qualified and ensure compliance with all local codes and standards including AS/NZS 3500.1.



Failure to comply even partially with installation instructions may void the warranty.

Positioning

Unpack machine, check for damage and complete delivery. Install machine on sound waterproof self-draining floor and use adjustable feet to level machine. Adjacent surfaces should be heat resistant and moisture proof, especially benchtop lower surfaces above undercounter machines. Allow room for detergent to one side of machine or in adjacent cupboard. 20litre container requires about 450H x 250W x 350D, but smaller containers are available from many suppliers.

Water Supply

Hot water temperature	55°C ± 5°C
Connection	20 mm (3/4" BSP) male
Flow rate minimum	10 litres per minute
Hot water consumption	4 litres per cycle approximately
Cold water consumption	1.5 litres per cycle approximately
Backflow prevention	DCV = Dual Check Valves supplied
Pressure	200-350 KPa = 30-50 Psi.

Above this range fit pressure limiter. Don't use small diameter plastic supply lines. FLUSH supply line before connection. Poor quality supply or excessive water hardness may affect performance or damage machine – filtration and/or softening is recommended.

Waste

40 mm gravity drain – refer point B on installation diagram – run waste directly behind the machine or through open area in base.

Power

Electrical supply required is 15A 240V 50Hz via switched outlet adjacent to machine, which is supplied with cord set including 15A plug.

Detergent

Insert detergent pump inlet hose into container of commercial low foam detergent. Close machine door and switch machine on. Run machine a couple of times to prime the detergent pump hoses. Commercial detergents can be hazardous – read instructions and handle with care.

Installation Checklist

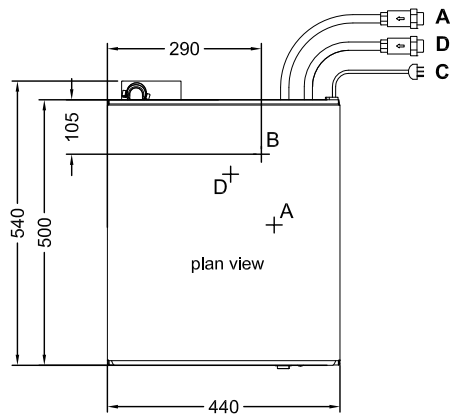
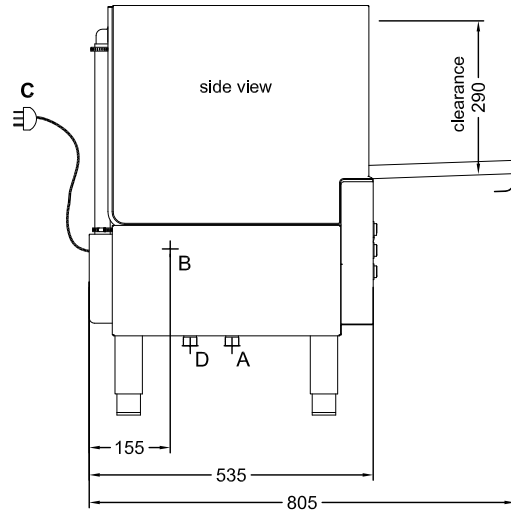
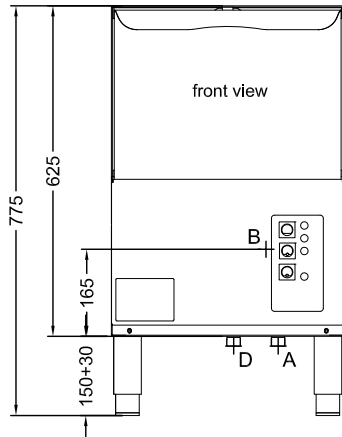
Complete attached Installation Checklist to ensure machine is installed and running correctly, and operator is familiar with operating procedures.

Troubleshooting

If machine doesn't fill after switching on power, check and ensure that hot water supply tap is open, water supply pressure is not below specification and Dual Check Valve is correctly installed (arrows on the dual check valve's body specify water flow direction).

GA5(W) INSTALLATION DIAGRAM

GA5-W 13-07-11 1B



ensure dual check valves are located at water supply entry point.

- | | |
|---|-------------------|
| A | Hot water supply |
| B | Waste |
| C | Power supply |
| D | Cold water supply |

Installation Checklist

CHECK	OK / NOTES
-------	------------

Delivery

Supplied complete	<input type="checkbox"/>	no transit damage
-------------------	--------------------------	-------------------

Position

Level and stable	<input type="checkbox"/>	on sound, waterproof, self draining floor
------------------	--------------------------	---

Water

Isolator valve fitted	<input type="checkbox"/>	Accessible, all fittings sound, no leaks
DCVs fitted (Washtech only)	<input type="checkbox"/>	Correct direction
Temperature	<input type="checkbox"/>	65 ± 5°C
Flow rate	<input type="checkbox"/>	Minimum 20 litres per minute
Pressure	<input type="checkbox"/>	200-350 kpa, limiter fitted if above this range
	<input type="checkbox"/>	Booster fitted if below this range
Cold water when required	<input type="checkbox"/>	Pressure not above 350 kpa
Hardness	<input type="checkbox"/>	Filter or softening if required

Power

Isolating switch	<input type="checkbox"/>	Fitted, functional and accessible
Supply as specified	<input type="checkbox"/>	Voltage, current, circuit breaker

Waste

Usually 40 mm	<input type="checkbox"/>	Sound, no leaks
Air gap on pumped drain	<input type="checkbox"/>	

Chemicals

	product name	container	no leaks	primed	conc.OK
Detergent	<input type="checkbox"/>	<input type="checkbox"/>	<input type="checkbox"/>	<input type="checkbox"/>	<input type="checkbox"/>
Rinse Aid	<input type="checkbox"/>	<input type="checkbox"/>	<input type="checkbox"/>	<input type="checkbox"/>	<input type="checkbox"/>

Machine operation

Run several cycles	<input type="checkbox"/>	
Confirm correct operation	<input type="checkbox"/>	Including correct fill levels

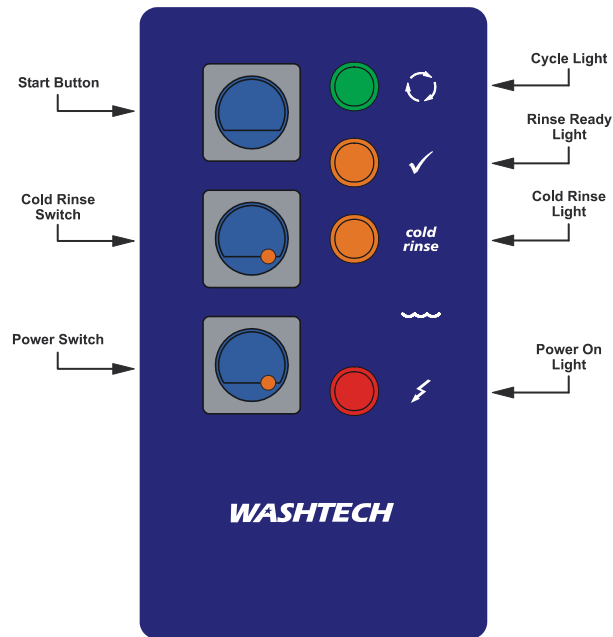
Operator training

Confirm Operator has copy of Operator Manual and is familiar with procedures

Start-up	<input type="checkbox"/>	Model / Serial	<input type="checkbox"/>
Pre-rinse and racking	<input type="checkbox"/>	Owner	<input type="checkbox"/>
Machine operation	<input type="checkbox"/>	Location	<input type="checkbox"/>
Drain	<input type="checkbox"/>	Technician	<input type="checkbox"/>
Clean	<input type="checkbox"/>	Date	<input type="checkbox"/>
Shut-down	<input type="checkbox"/>	Signed	<input type="checkbox"/>

Operation

Description of Controls



Operating Instructions

Start up

Turn wall and machine power switches on.
Power On light glows red.
Rinse Ready light (tick symbol) glows amber when the machine is up to required temperature and ready to run.

Operation

Load rack into machine and shut door.
Where applicable, turn Cold Rinse switch on for cold final rinse.
Press Start button - Cycle light glows green while machine operates.
When Cycle light goes out, cycle is complete.
Remove rack. Close door.

NOTE: Machine will not operate unless Rinse Ready light is on.

Shut down every night

Turn machine and wall power switches off.

Dishwashing Procedures

for best results

Note: these are general instructions to assist in getting the best performance from Washtech dishwashers – some comments and / or illustrations may not apply to every unit.

Installation



Read the Operator Manual. Correct installation, including an adequate supply of water at the correct temperature and pressure is essential for effective operation of your machine. Refer installation instructions for details. Drain hose outlet height is important on some models. Always install on a sound self-draining floor. Water softening is recommended in hard water areas - especially for glasswashing

Pre-rinsing



Pre-scraping of dishes is required by hygiene regulations. The best method is to pre-rinse with a pre-rinse spray unit - or alternatively by scraping or dunking in water.



Cutlery Procedures

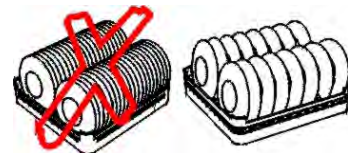


Pre-soak cutlery in warm water, preferably containing cutlery pre-soak compound - refer your chemical supplier.

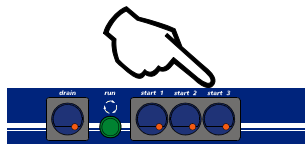
Do not overfill cutlery containers. Cutlery should be loose with handles down. Sort after washing rather than before. Cutlery of only one type nests together and obscures wash water.

Racking Procedures

Do not overload racks, minimize the overlap of crockery. Cycle times are short and water consumption per cycle low - so there is no advantage in overloading racks.



Cycle Times



For multi-cycle machine use the longest cycle whenever possible. Note that water consumption does not increase with longer cycles. Only choose shorter, faster cycles when necessary.



Detergent

Use of correct type and quantity of low foaming commercial grade detergent is essential to the performance of the machine. We strongly recommend that you use a professional dishmachine chemical supplier - and will be pleased to recommend a supplier in your region. Discuss with them the use of cutlery pre-soak solution, detergent and drying agent.



Dishwashing Procedures

for best results

Drying

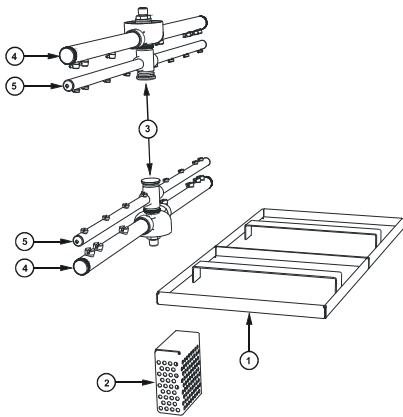


Single tank commercial dishwashers do not have a drying cycle. However, the machines do rinse at high temperatures which promote fast drying particularly when drying agents are used. We recommend prompt removal of the rack from the machine - leave the rack on the bench for 2 to 3 minutes before emptying. This time will be reduced with correct use of drying agent (rinse fluid) which reduces water surface tension and allows water to drain quickly from washware. For advice on drying agents and injectors refer to your chemical supplier.

Daily Cleaning

It is essential that the machine is drained and cleaned at the end of each day. Drain the machine then remove, clean and replace filters as per the operating instructions. Regularly check the wash and rinse jets and clean them if necessary – see below.

Regular Cleaning



Remove scrap trays^① and wash pump inlet filter^②, where fitted, and rinse or brush clean.

Remove wash and rinse arms by undoing the central thumbscrews^③. If necessary, remove the end cap screws^④ from the wash arms and the end screws^⑤ from the rinse arms and flush the arms with water and/or use a toothpick or paperclip to clear jets.

Note: arms and filters vary with model and may appear different from this illustration e.g. those models with plastic wash arms have removable jets for ease of cleaning

Regular Servicing

Regular servicing is essential for optimum performance and long machine life. Maintenance is recommended at least once every six months – especially when chemical injectors are fitted.

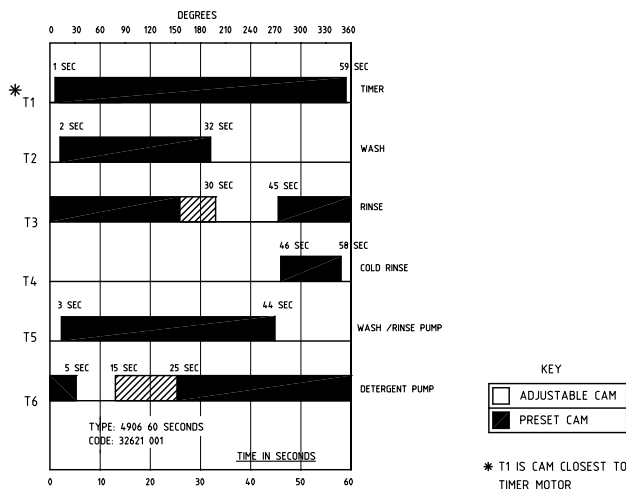
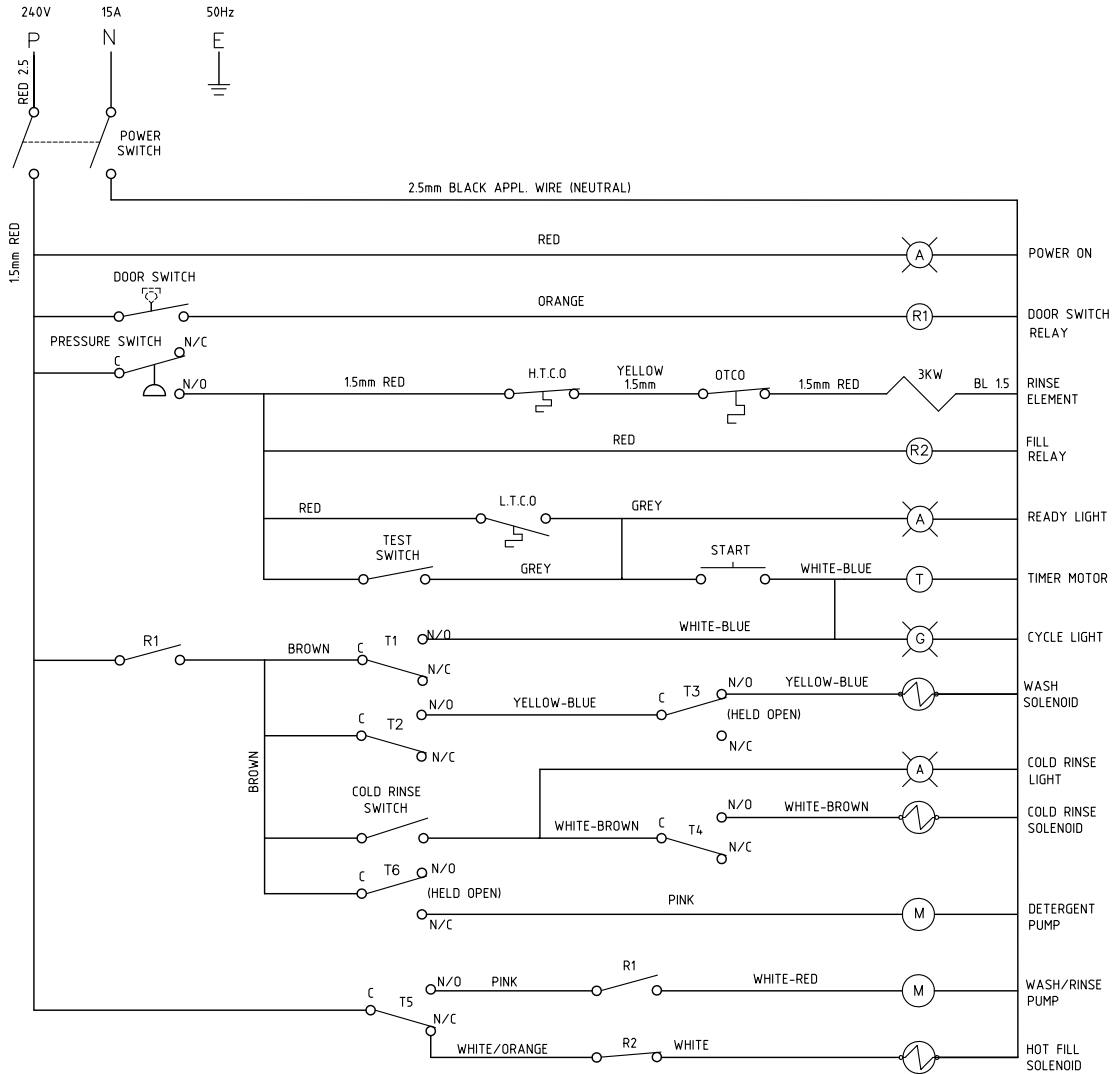
Please contact Moffat or your Authorised Service Provider to organize regular servicing of the dishwasher - discuss a Preventative Maintenance Agreement.



Note: these are general instructions to assist in getting the best performance from Washtech dishwashers – some comments and / or illustrations may not apply to every unit.

GA5 (W) SCHEMATIC DIAGRAM

040124 7-07-11 1 A



Notes

Information supplied in this manual is copyright. No part of this work may be reproduced or copied in any form or by any means, electronic or mechanical without the express permission of the author / publisher.



Distributed In
Australia by

MOFFAT[®]

740 Springvale Road, Mulgrave 3170, Victoria, Tel 03 9518 3888 Fax 03 9518 3818

Service 1 800 622 216
Parts 1 800 337 963